



TANGYE

Lightweight Jacks & Pumps

Product Catalogue 2012



General Information

The Hydralite range is the most popular out of the Tangye jacks; the lightweight jacks are designed to lift, lower, manoeuvre and position heavy loads with maximum safety. The Hydralite range of jacks have the following features:

Portable: extensive use of high strength aluminium alloys has minimised jack weight for improved portability.

Reliable: All moving parts are totally enclosed and lubricated by hydraulic oil. Their long working life makes the Hydralite jacks the ideal choice for many rental operations.

Safe: **Overload Protection:** a high pressure relief valve prevents lifting of loads in excess of the jack's capacity while locking overloads applied to the ram.

Overstroke Protection: Hydralite jacks are fitted with a fail-safe positive stop mechanism which prevents overstroking of the ram by venting oil to the reservoir when the stroke limit is reached.

Load Sustaining: jack models can be fitted with a load retaining ring so that the load can be sustained for a significant time and there is no need to rely on the hydraulic fluid pressure.

Quality Assurance: every jack is serial numbered, fully tested and certified.

Minimum Operator Effort: full capacity is within the capability of one man. The short lever is lightweight and requires little space for operation.

Easy and Versatile Operation: operator control is provided by the hexagon key in the operating lever which smoothly controls the release valve. On most jacks the operating lever can be fitted in any one of the three positions in the quadrant to obtain the most suitable operating height. The jacks can be used vertically (on the base) or horizontally (on the face) due to the carefully positioned breather.

Low Clearance: claw models of most jacks are available for lifting loads with low ground clearance. All jacks used with a claw must be fitted with an extended base option. The load applied to the claw must not extend the maximum specification tables and marked on the claw. A claw should not be used on a screwed ram.

Wide Range: capacities from 20 tonne to 100 tonne with stroke options and claw and screwed ram features.

Easy to Maintain: the design of the jack makes inspection and component replacement uncomplicated. Main ram seal is changed by simply withdrawing the ram from the top of the jack. Refer to service instruction.

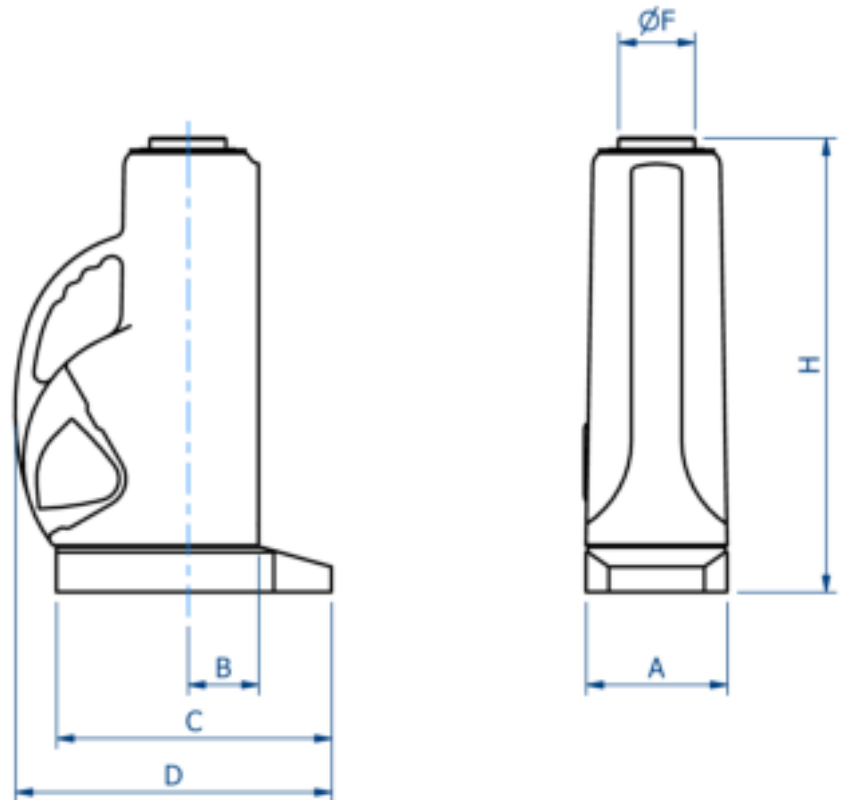
The Hydralite jacks have different stroke options:

Plain ram: For standard lifting applications.

Claw lift: claw models are available for lifting loads with low ground clearance. All claw jacks have an extended base.

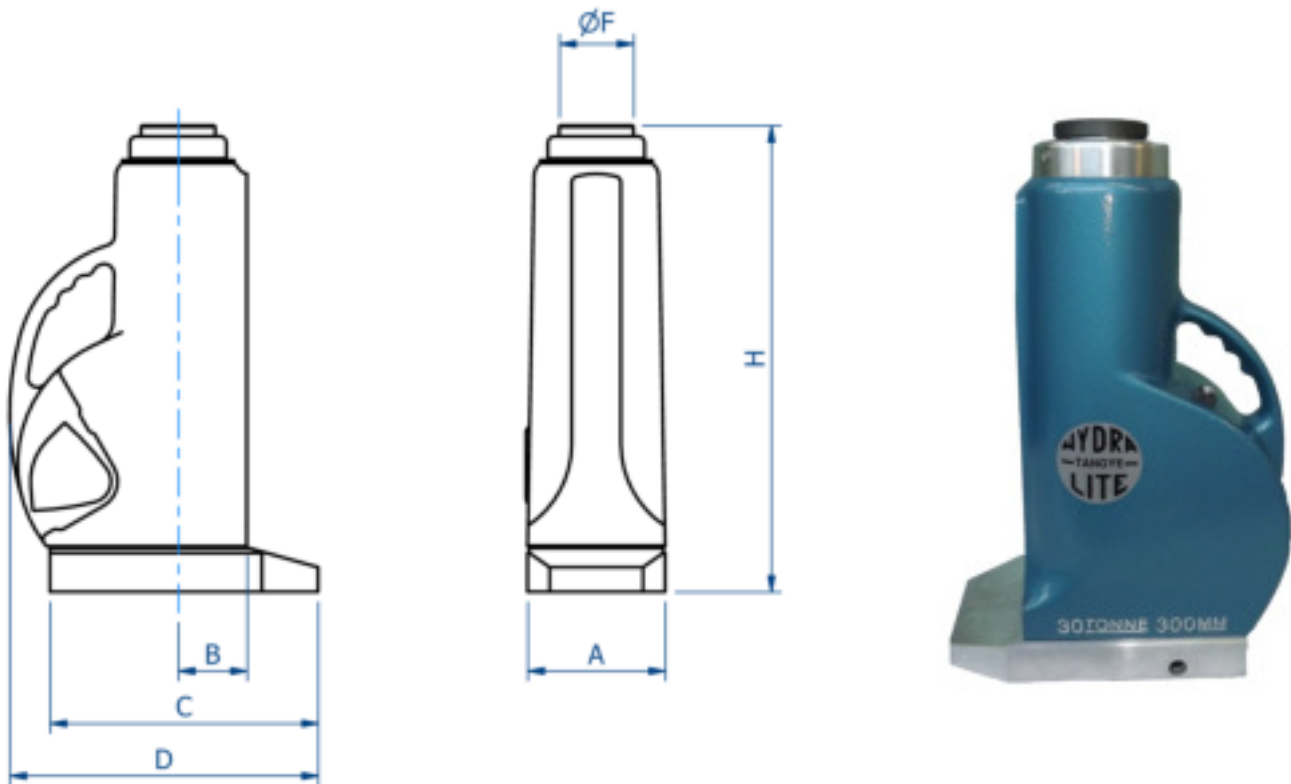
Screwed ram: jacks with a screwed ram and load retaining ring should be selected when loads are to be sustained for a significant time.

12" Plain Ram



Product code	PS1220		PS1230		PS1260	
Ram Capacity	20 Tonnes		30 Tonnes		60 Tonnes	
Lift Per Stroke	1.1 mm	0.042 ins	0.70 mm	0.026 ins	0.3 mm	0.013 ins
Weight of Jack	16.7 kgs	37 lbs	23.40 kgs	52 lbs	43.7 kgs	97 lbs
Working Pressure	682 Bars	9,900 PSI	644 Bars	9,350 PSI	644 Bars	9,350 PSI
Effort on Lever (max)	54 kgs	120 lbs	52 kgs	115 lbs	52 kgs	115 lbs
Oil Capacity	1.14 Litres	2 Pints	1.71 Litres	3 Pints	2.84 Litres	5 Pints
Dimensions	mm	ins	mm	ins	mm	ins
A - Width	121	4.75	140	5.5	190	7.5
B - Centre Ram To Face	60	2.38	70	2.75	92	3.625
C - Base Length	246	9.69	273	10.75	339	13.375
D - Overall Depth	289	11.38	311	12.25	384	15.125
F - Ram Diameter	60	2.38	76	3	108	4.25
H - Closed Height	438	17.25	451	17.75	500	19.687
Stroke	305	12	305	12	305	12
Service Kit Number	133506		133511		133518	

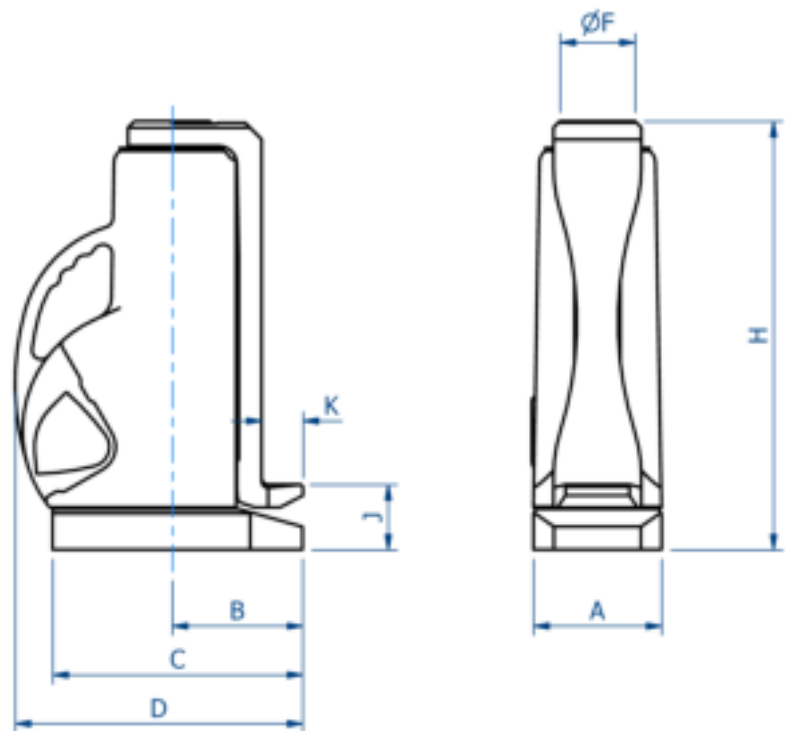
12" Screwed Ram



Product code	PS1220S		PS1230S		PS1260S	
Ram Capacity	20 Tonnes		30 Tonnes		60 Tonnes	
Lift Per Stroke	1.1 mm	0.042 ins	0.70 mm	0.026 ins	0.3 mm	0.013 ins
Weight of Jack	16.7 kgs	37 lbs	23.40 kgs	52 lbs	43.7 kgs	97 lbs
Working Pressure	682 Bars	9,900 PSI	644 Bars	9,350 PSI	644 Bars	9,350 PSI
Effort on Lever (max)	54 kgs	120 lbs	52 kgs	115 lbs	52 kgs	115 lbs
Oil Capacity	1.14 Litres	2 Pints	1.71 Litres	3 Pints	2.84 Litres	5 Pints
Dimensions	mm	ins	mm	ins	mm	ins
A - Width	121	4.75	140	5.5	190	7.5
B - Centre Ram To Face	60	2.38	70	2.75	92	3.625
C - Base Length	246	9.69	273	10.75	339	13.375
D - Overall Depth	289	11.38	311	12.25	384	15.125
F - Ram Diameter	60	2.38	76	3	108	4.25
H - Closed Height	464	18.25	479	18.875	536	21.125
Stroke	305	12	305	12	305	12
Service Kit Number	133930		133932		133935	



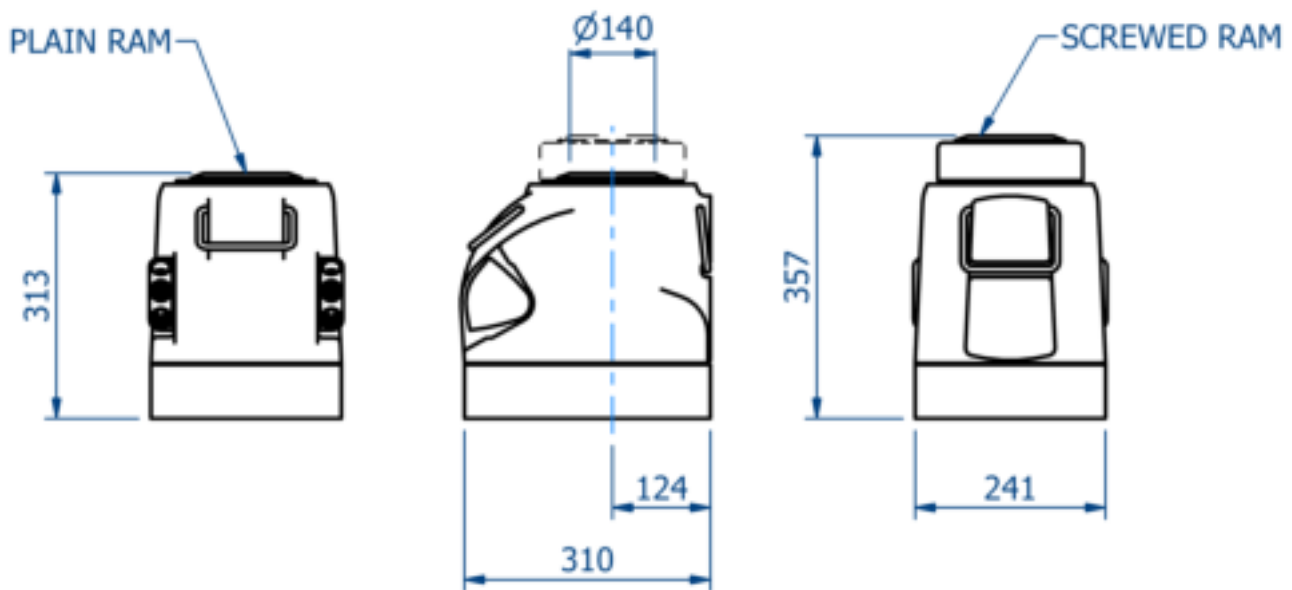
12" Claw



Product code	PS1220C		PS1230C		PS1260C	
Ram Capacity	20 Tonnes		30 Tonnes		60 Tonnes	
Claw Capacity	8 Tonnes		12 Tonnes		24 Tonnes	
Lift Per Stroke	1.1 mm	0.042 ins	0.7 mm	0.026 ins	0.3 mm	0.013 ins
Weight of Jack	16.7 kgs	37 lbs	23.4 kgs	52 lbs	43.7 kgs	97 lbs
Weight of Claw	5.5 kgs	12 lbs	7.6 kgs	17 lbs	21.2 kgs	47 lbs
Working Pressure	682 Bars	9,900 PSI	644 Bars	9,350 PSI	644 Bars	9,350 PSI
Effort on Lever (max)	54 kgs	120 lbs	52 kgs	115 lbs	52 kgs	115 lbs
Oil Capacity	1.14 Litres	2 Pints	1.71 Litres	3 Pints	2.84 Litres	5 Pints
Dimensions	mm	ins	mm	ins	mm	ins
A - Width	121	4.75	140	5.5	190	7.5
B - Centre Ram To Claw	125	4.94	143	5.625	181	7.125
C - Base Length	246	9.69	273	10.75	339	13.375
D - Overall Depth	289	11.38	311	12.25	384	15.125
F - Ram Diameter	60	2.38	76	3	108	4.25
H - Closed Height	452	17.88	470	18.5	533	21
J - Base to Claw	67	2.63	73	2.875	73	2.875
K - Claw Depth	41	1.61	45	1.77	48	1.89
Stroke	305	12	305	12	305	12
Service Kit Number	133506		133511		133518	

100 Tonne

The 100 tonne Hydralite is powered by two internal pumps, the low pressure, fast-speed plunger moves the ram out quickly, up to a load of about 8 tonnes on the ram, before transfer to the high pressure plunger becomes necessary. The lift of ram per stroke of lever is 1.1mm on low pressure and 0.1mm on high pressure.



Capacity	100 Tonne			
Product code	P6100		P6100S	
Ram Type	Plain		Screwed	
Weight	49 kgs	108 lbs	53 kgs	117 lbf
Working Pressure	640 Bars	9280 lbf/in2	640 Bars	9280
Effort on Lever	778 N	175 lbf	778 N	175 lbf
Lift/Stroke High	0.1 mm	0.005 ins	0.1 mm	0.005 ins
Lift/Stroke Low	1.1 mm	0.043 ins	1.1 mm	0.043 ins
Oil Capacity	2.23 Litres	3.92 Pints	2.3 Litres	4.05 Pints
Dimensions	mm	Ins	mm	Ins
Stroke	152	6	152	6
Width	241	9.48	241	9.48
Depth	310	12.2	310	12.2
Closed Height	313	12.32	357	14.05
Centre Ram To Face	124	4.88	124	4.88
Ø Diameter	108	4.25	108	4.25
Service Kit Number	995058			

