

P-Series, ULTIMA Steel Hand Pumps

▼ Shown from left to right: P-77, P-80, P-84, P-801, P-39



- Reduced handle effort and ergonomic grip for less operator fatigue
- Two-speed operation for fast and easy operation (except P-39)
- Vent free reservoir eliminates spills
- Quick grip handle allows for easy transport
- Integral reservoir over-pressurization protection
- All steel construction, chrome plated plunger and wiper system for durable, long lasting performance
- 4-way valving on the P-84 and P-464 for operation of double-acting cylinders.

▼ In the absence of a power supply, the P-80 Hand Pump offers a powerful solution.



The Solution for Tough Jobs



Two Speed Pumps

Recommended for applications where cylinder plunger must advance rapidly to load contact, and applications where greater oil capacities are required, such as multiple cylinder hook-ups.



Foot Pump Conversion Kits

Convert your P-39, P-77, P-80 or P-801 to foot power with the **PC-11** Kit. Includes instructions for easy conversion.



Gauges

Minimize the risk of overloading and ensure long, dependable service from your equipment. Refer to the System Components section for a full range of gauges.

Page: 124



4-Way Control Valve

P-84 and **P-464** feature a manual 4-way control valve, designed for use with one double-acting or two single-acting cylinders. For system set-up information:

Page: 250

Pump Type	Usable Oil Capacity (cm ³)	Model Number	Pressure Rating ** (bar)		Oil Displacement per Stroke (cm ³)		Max. Handle Effort (kg)
			1 st stage	2 nd stage	1 st stage	2 nd stage	
Single	770	P-39	-	700	-	2,46	39
Two-Speed	770	P-77	34	700	16,39	2,46	40
	2200	P-80 *	34	700	16,39	2,46	35
	4100	P-801	34	700	16,39	2,46	35
	2200	P-84	34	700	16,39	2,46	35
	7423	P-462	14	700	126,20	4,75	49
	7423	P-464	14	700	126,20	4,75	49

* Available as a set, see note on next page.

** Contact Enerpac for applications where operating pressure is less than 10% of pressure rating.

ULTIMA Steel Hand Pumps

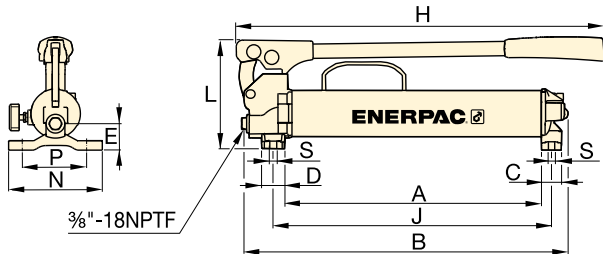
P Series



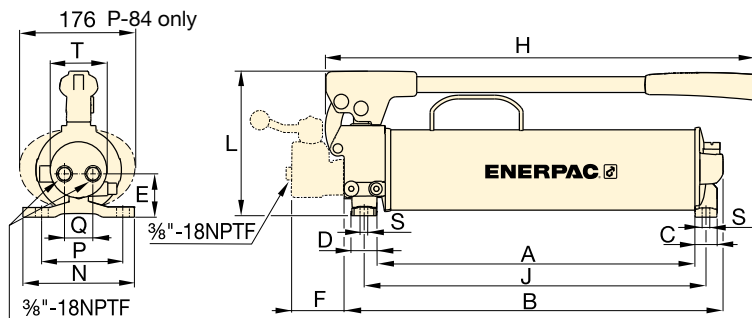
Reservoir Capacity:
770 - 7423 cm³

Flow at Rated Pressure:
2,46 - 4,75 cm³/stroke

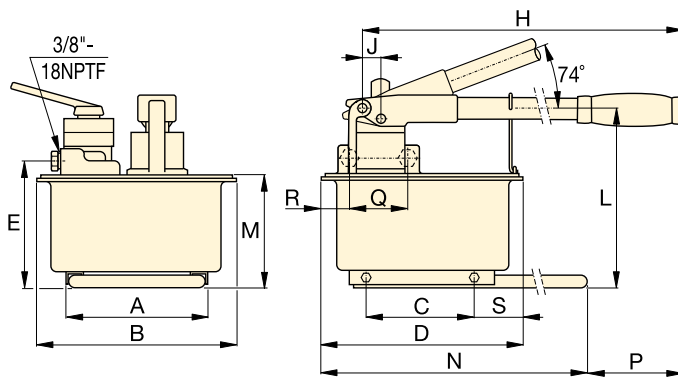
Maximum Operating Pressure:
700 bar



P-39, P-77



P-80, P-801, P-84



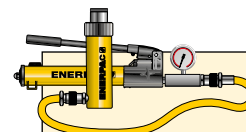
P-462, P-464



Extra Capacity Hand Pumps

P-462 and P-464 feature extra large reservoirs and high first-stage flow rate.

These pumps are ideally suited for powering high-capacity cylinders.



Pump-Cylinder Sets

The **P-80** is also available as set (pump, cylinder, gauge, couplers and hose) for your ordering convenience.

Page: **58**



Cylinder Matching Chart

For help in selecting the correct hand pump for your application, please refer to the Cylinder Matching Chart located in the 'Yellow Pages'.

Page: **248**

Piston Stroke	Dimensions (mm)																	Model Number
	(mm)	A	B	C	D	E	F	H	J	L	M	N	P	Q	R	S	T	
25,4	383	480	30	35	37	-	550	416	163	-	140	111	-	-	8,4	-	6,2	P-39
25,4	391	487	30	35	47	-	550	424	163	-	140	111	-	-	8,4	-	7,1	P-77
25,4	428	511	30	35	55	-	579	460	195	-	150	121	42	-	8,4	74	10,7	P-80*
25,4	428	511	30	35	55	-	579	460	195	-	150	121	42	-	8,4	74	14,1	P-801
25,4	428	510	30	35	55	70	579	460	195	-	150	121	38	-	8,4	74	11,8	P-84
38,1	210	308	163	320	195	-	671	25	270	175	650	92	-	-	80	-	27,7	P-462
38,1	210	308	163	320	195	-	671	25	270	175	650	92	89	68	80	-	27,7	P-464